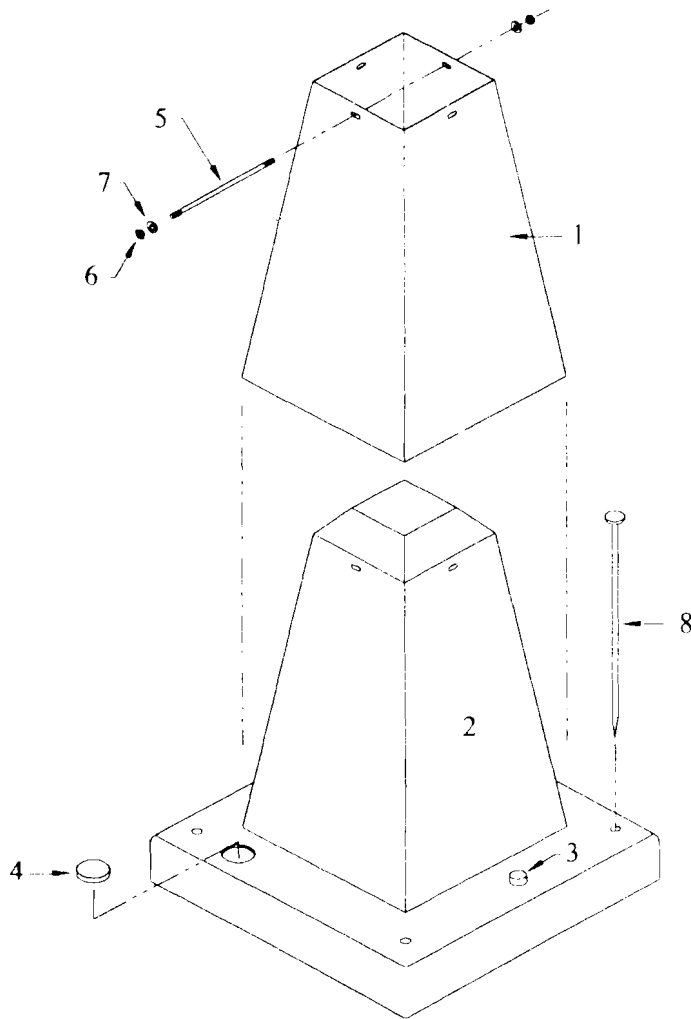


MODEL 336

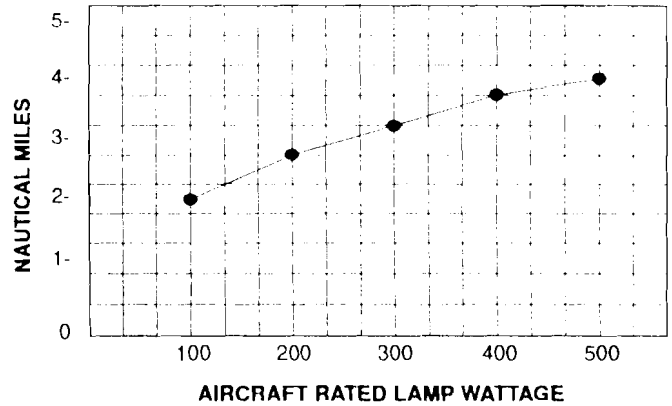
HIGH INTENSITY RETRO-REFLECTIVE, HELIPORT/RUNWAY IDENTIFICATION MARKER



ASSEMBLY COMPONENTS

1. OUTER SHEATH - RIGID ALUMINIUM
(Covered in **Retro-Reflective** Material)
2. POLYETHYLENE PYLON - BLACK
3. STACKING STUD
4. PLASTIC PLUG - BLACK
5. THROUGH BOLT (1)
6. NUT - S/S (2)
7. FLAT WASHER - S/S (2)
8. ANCHOR PINS (4)

VISIBILITY RANGE (approx.)



MODEL 336 IDENTIFICATION MARKER COMBINATIONS

TYPE	USAGE	COLOUR
336Y	HELIPORT EDGE - HIGH INTENSITY	YELLOW
336W	RUNWAY EDGE - HIGH INTENSITY	WHITE
336T	THRESHOLD END - HIGH INTENSITY	RED/GREEN
336B	TAXIWAY EDGE - HIGH INTENSITY	BLUE
336R	HAZARD AREA - HIGH INTENSITY	RED

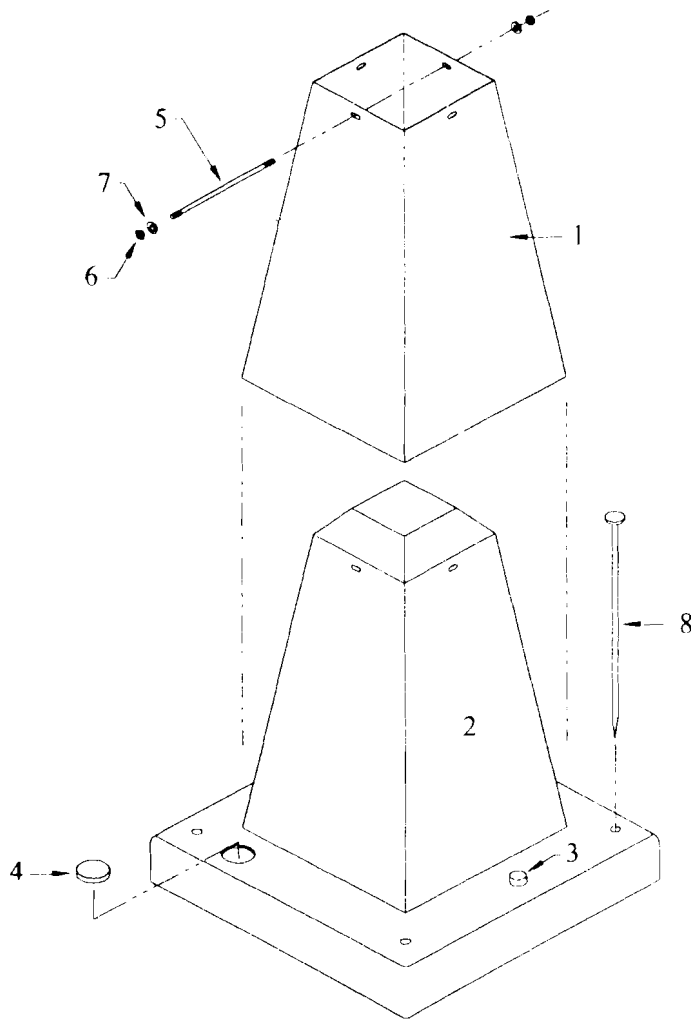
REGINALD BENNETT INTERNATIONAL INC. **RBI**

"OUR PRODUCTS SAVE LIVES"

835 Westney Road South, Unit 12, Ajax, Ontario, Canada L1S-3M4; Ph. (905) 686-8833, Fax (905) 686-5619
(U.S. PATENT No. 5, 115, 343; C.D.N. PATENT No. 2, 015, 859)

MODEL 336

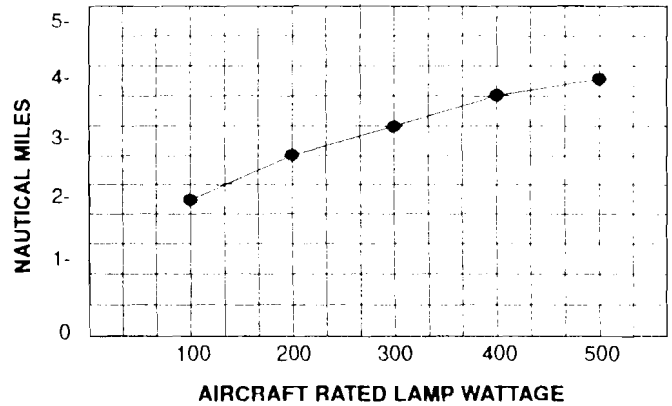
HIGH INTENSITY RETRO-REFLECTIVE, HELIPORT/RUNWAY IDENTIFICATION MARKER



ASSEMBLY COMPONENTS

1. OUTER SHEATH - RIGID ALUMINIUM
(Covered in **Retro-Reflective** Material)
2. POLYETHYLENE PYLON - BLACK
3. STACKING STUD
4. PLASTIC PLUG - BLACK
5. THROUGH BOLT (1)
6. NUT - S/S (2)
7. FLAT WASHER - S/S (2)
8. ANCHOR PINS (4)

VISIBILITY RANGE (approx.)



MODEL 336 IDENTIFICATION MARKER COMBINATIONS

TYPE	USAGE	COLOUR
336Y	HELIPORT EDGE - HIGH INTENSITY	YELLOW
336W	RUNWAY EDGE - HIGH INTENSITY	WHITE
336T	THRESHOLD END - HIGH INTENSITY	RED/GREEN
336B	TAXIWAY EDGE - HIGH INTENSITY	BLUE
336R	HAZARD AREA - HIGH INTENSITY	RED

REGINALD BENNETT INTERNATIONAL INC. **RBI**

"OUR PRODUCTS SAVE LIVES"

835 Westney Road South, Unit 12, Ajax, Ontario, Canada L1S-3M4; Ph. (905) 686-8833, Fax (905) 686-5619
(U.S. PATENT No. 5, 115, 343; C.D.N. PATENT No. 2, 015, 859)